

SC200 Series

Premium, Field Configurable Vibration & Temperature Signal Conditioners

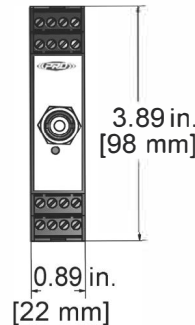
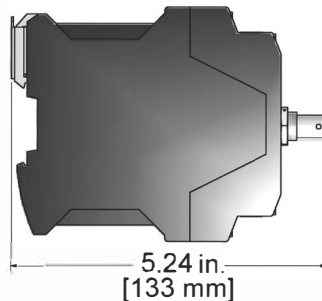


Product Features

Digital filters from 5 Hz to 15 kHz provide precise overall amplitudes. Four pole filters at 2 Hz and 20 Hz add flexibility to monitoring options.

Provides process control signals to a PLC, DCS, or SCADA system, in 4-20 mA outputs, along with a selectable 0-5 VDC or 0-10 VDC signals, that are proportional to the vibration levels set within the signal conditioner.

- ▶ Internal DIP switches allow easy “field configuration 2nd set” for input signal, scale values, filtering options and outputs
- ▶ Accepts a variety of signal inputs; acceleration, velocity, temperature and displacement
- ▶ Sensor Power On/Off option allows dual banding, ranges, units, filters and outputs with multiple signal conditioners to be configured for dual banding



Specifications

Output	4-20 mA output signal for vibration and temperature (0-1.2 VDC input) Each output requires isolated common (not shared)
Humidity Range	0-95% Relative, Non-Condensing
Connectors	Screw Terminals, detachable
Input Power	24 to 32 VDC unregulated/225 mA Maximum
Power	24 VDC, 4 mA DC sensor excitation
Max Load Resistance	600 ohms
Isolation	1000 VDC
Temperature Range	-40 to 158°F (-40 to 70°C)

Built to Order - Click Here to Customize

Cooling is required if enclosure temperature exceeds 140°F (60°C)

Lifetime Warranty on Materials & Workmanship

www.ctconline.com | sales@ctconline.com | 585-924-5900