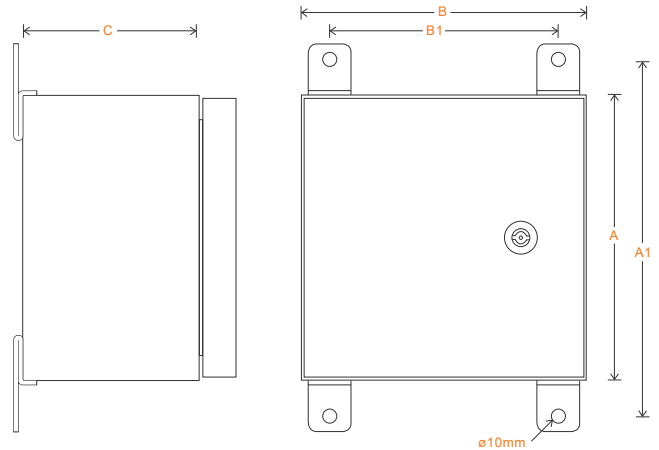


HS-SE-SSM Switching Enclosure

Stainless Steel

Key Features

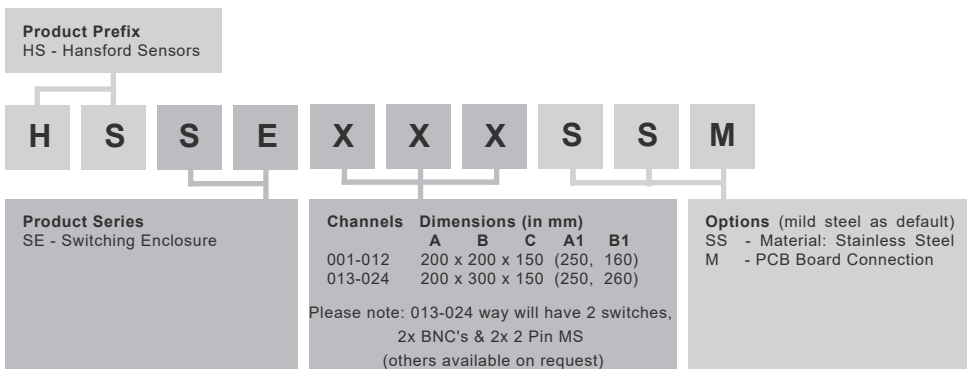
- BNC and 2 Pin MS output
- Provides a terminal to take readings from accelerometers via a portable data-collector
- Multiple outputs via one connector
- Easy to install



Technical Performance

Inputs	Via accelerometer	Door	Lock and polyamide key
Output	BNC and 2 Pin MS as standard	Glanding	Glands supplied but not fitted
Mounting Board	PCB Panel (customisable upon request)		Holes are punched for: Single input M12 - ø3.5-7mm cable Single input M20 - ø7-13mm multi-core cable Multi input M20 - 3 x ø5.3mm
Material	304 Stainless Steel (to be specified in options of 'How To Order' table)	Labelling	Channel locations - other labelling available upon request
Dimensions	see: diagram	Mounting	supplied are 4 x Brackets
Termination	Spring-loaded terminal (no screwdriver required)	EMC	EN61326-1:2013
Sealing	IP66		

How To Order



ACOEM Australia
8/69 Sir Donald Bradman Drive
Hilton SA 5033
Adelaide Australia

+61 (0)8 8355 8000
info.au@acoem.com



We reserve the right to alter the specification of this product without prior notice
TS412.10