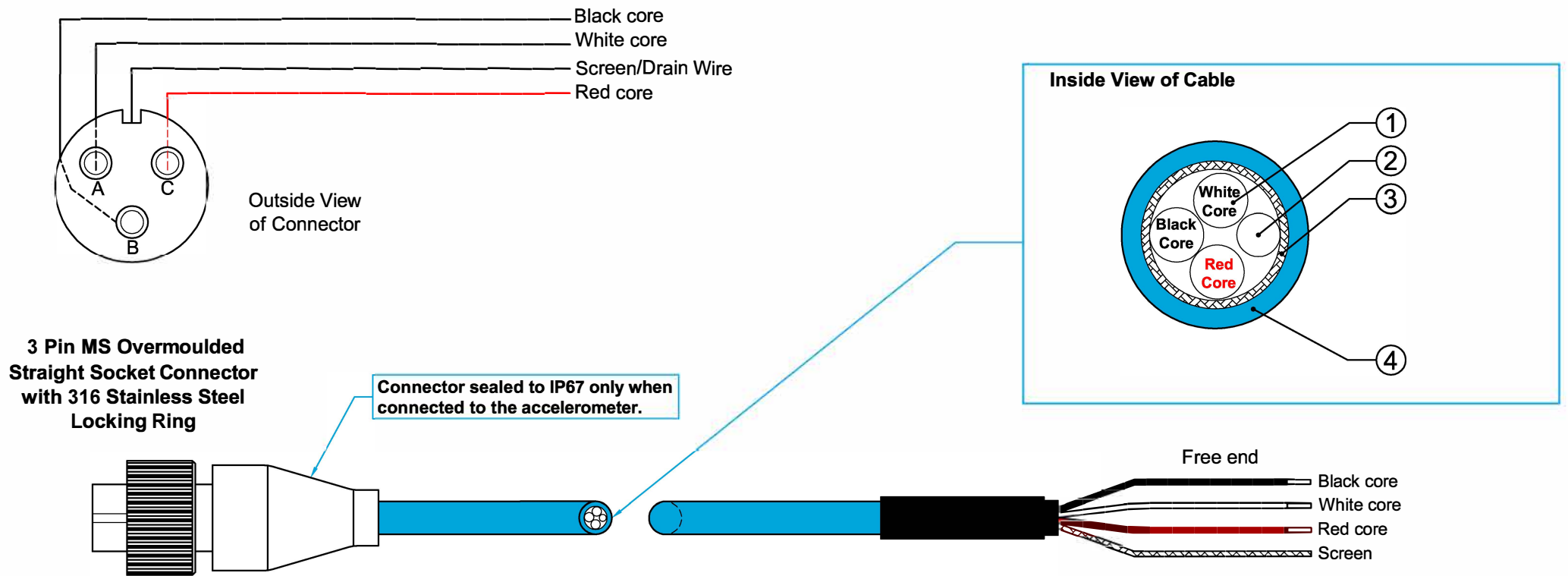


## Connection Details of Cable Assembly



**Environment Specification of Cable Assembly**  
Maximum operating temperature of 150°C with high levels of resistance to chemical attack.

### Materials of Cable: High Temperature FEP Cable

Pos	Description	Dimension	Overall Diameter	Remarks
1.	Tin plated copper conductor insulation of FEP	20 AWG	Copper 0.96 Insulation 1.47	19 x 0.2
2.	Tin plated copper drain wire	20 AWG	0.96	19 x 0.2
3.	Braided screen of tin plated copper wire	16 x 6 x 0.127	3.3.8	Optimised: 85% min
4.	Jacket of FEP, blue	Thickness 0.35mm	4.5	Tube-Extruded

### Technical Data of Cable

Technical Data	Values at 20°C	Unit
Conductor Resistance	34	Ω / km
Insulation Resistance	>5000	MΩ x km
Test Voltage	3	KV DC
Voltage Rating	600/1000	V AC
Capacitance	Core-core: 85	pF / m
Inductance	0.54	1kHz μH/m
L/R Ratio	7.94	μH/Ω
Weight	40	g / m
Temperature Rating	-80 / +200	°C



ACOEM Australia  
8/69 Sir Donald Bradman Drive  
Hilton SA 5033  
Adelaide Australia

+61 (0)8 8355 8000  
info.au@acoem.com